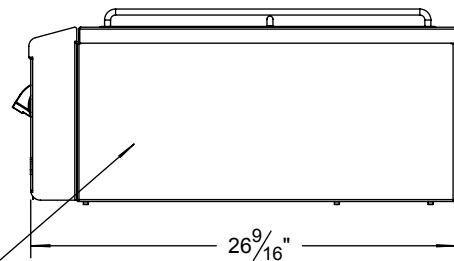
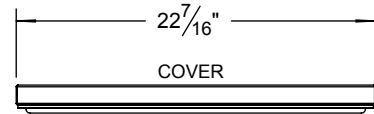
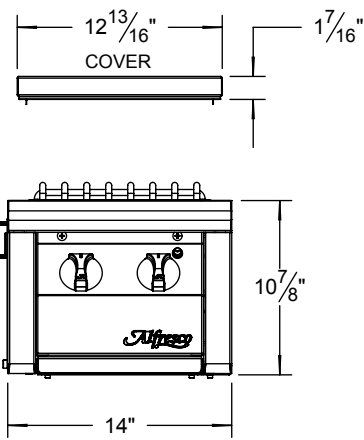
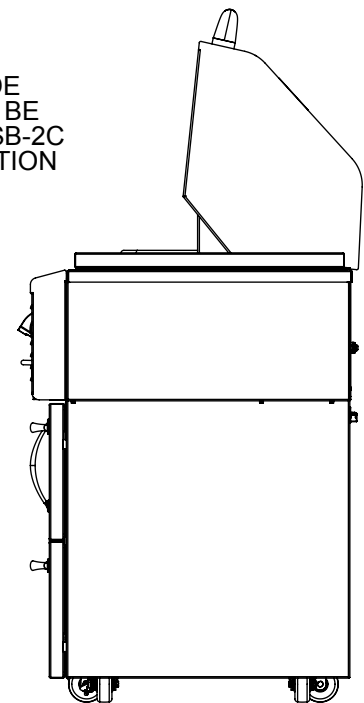
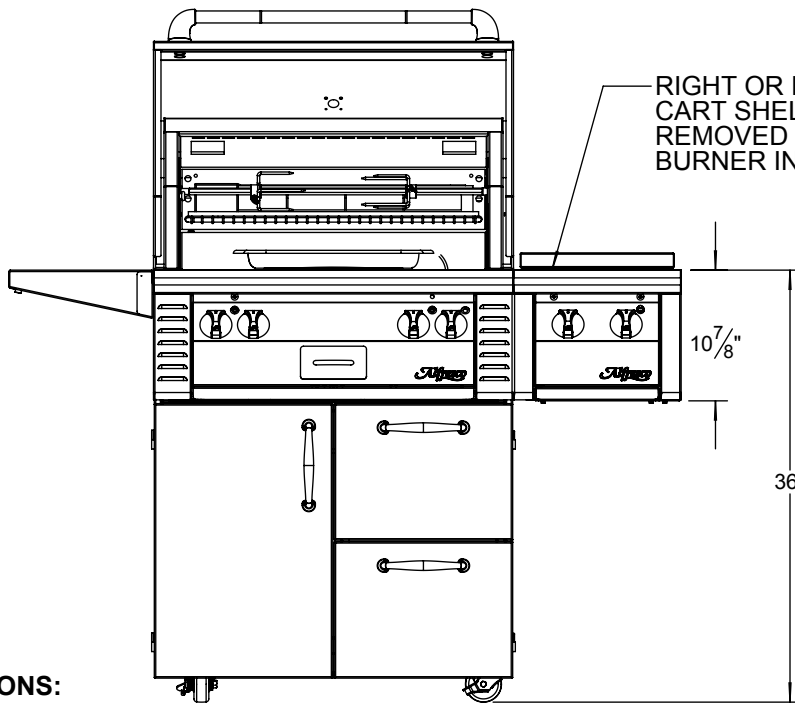


**TYPICAL ALSB-2C CART MOUNTED INSTALLATION**  
SHOWN ON RIGHT SIDE OF ALX2-30C DELUXE CART UNIT



ALSB-2C UNIT IS SHIPPED WITH SIDE AND BACK PANELS CONFIGURED FOR RIGHT SIDE INSTALLATION. PANELS ARE REVERSIBLE FOR LEFT SIDE INSTALLATION. (REFER TO INSTALLATION MANUAL FOR MORE INFORMATION)



**SPECIFICATIONS:**

BTUH = 40,000  
FUEL = NG @ 5" W.C. OR LP @ 10" W.C.  
ELECTRICAL POWER = 9 VDC BATTERY  
GAS CONNECTION = 1/2" NPT (NG) OR 3/8" ODF (LP)

**NOTE:**

THE ALSB-2C UNIT IS SUPPLIED WITH ALL PANELS, STAINLESS FLEXIBLE HOSES AND FITTINGS REQUIRED FOR INSTALLATION. SEE INSTALLATION MANUAL FOR ADDITIONAL INFORMATION.

**Al Fresco**

SUPERIOR EQUIPMENT SOLUTIONS  
7039 EAST SLAUSON AVENUE  
COMMERCE, CA. 90040

THE INFORMATION CONTAINED IN THIS DRAWING IS THE SOLE PROPERTY OF SUPERIOR EQUIPMENT SOLUTIONS INC. ANY REPRODUCTION IN PART OR AS A WHOLE WITHOUT WRITTEN PERMISSION FROM SUPERIOR EQUIPMENT SOLUTIONS, INC. IS PROHIBITED.

**DRAWN BY:** ADRIAN CRISCI  
**CREATED:** 1/15/2014 2:54:59 PM

**PROJECT TITLE:**

**ALSB-2C**

**DRAWING TITLE:**

**ALSB-2C CART SIDE BURNER ACCESSORY**

**DRAWING NO.:** ALSB-2C SPEC SHEET

SHEET 1 OF 1