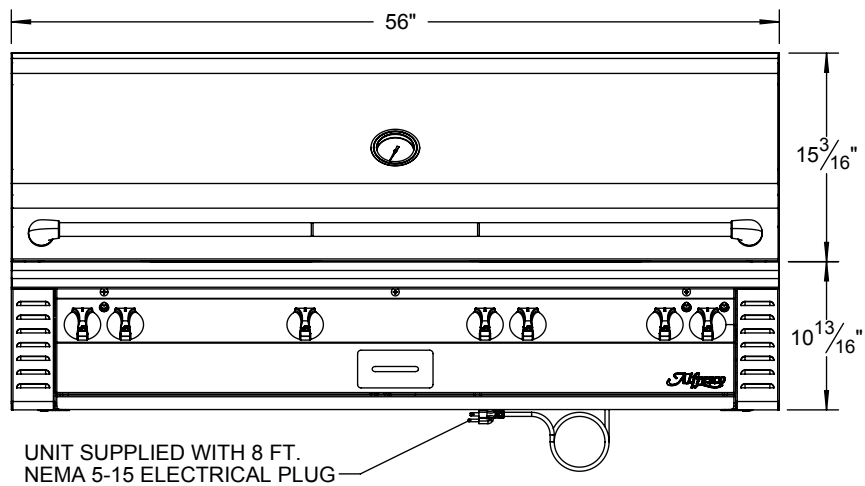
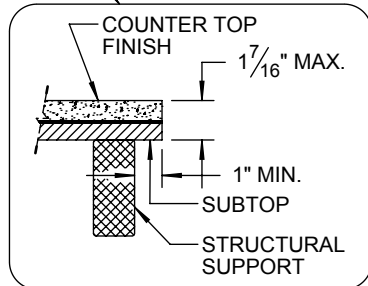
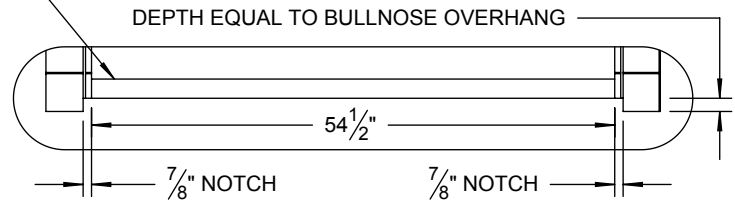
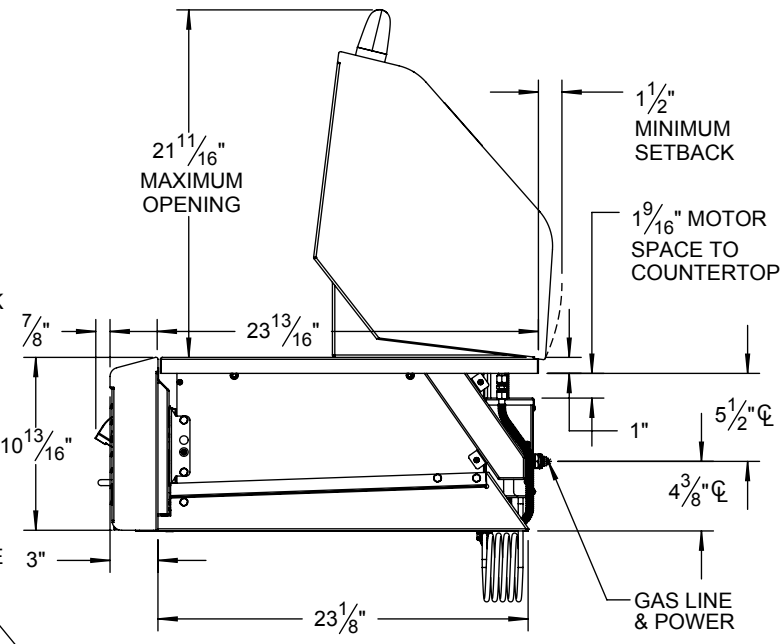
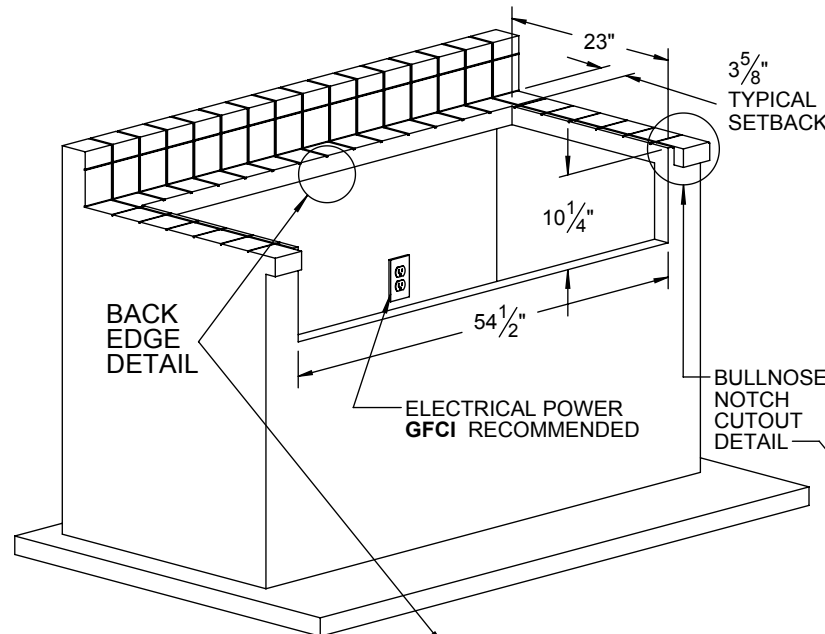


TYPICAL ALX2-56 BFG INSTALLATION

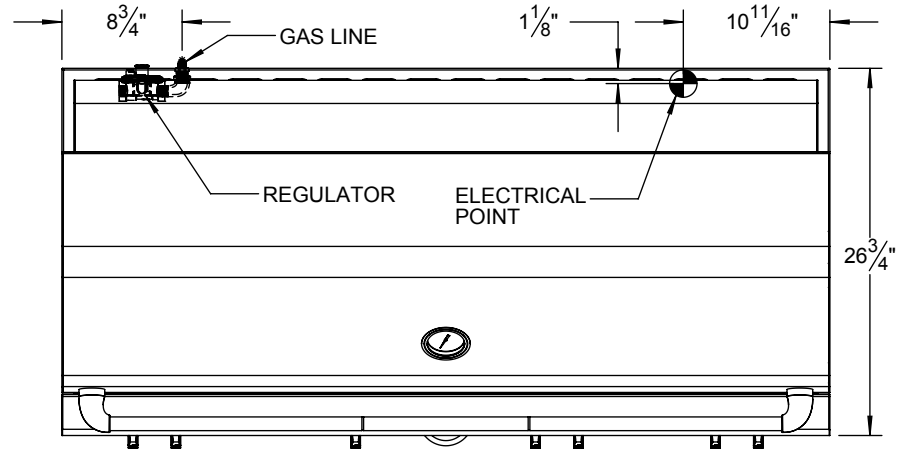


COUNTERTOP CUTOUT REQUIREMENTS



NOTE:

- CUTOUT SHOWN FOR NON-COMBUSTIBLE CONSTRUCTION ONLY. OTHERWISE USE OF AIJ-56 INSULATING JACKET IS REQUIRED.
- COUNTER MUST HAVE PROPER GAS AND POWER SUPPLIES FOR YOUR ALFRESCO BBQ.



SPECIFICATIONS:

BTUH = 147,000
 FUEL = NG @ 5" W.C. OR LP @ 10" W.C.
 ELECTRICAL POWER = 115 VAC / 1.44 A / 60 Hz.
 GAS CONNECTION = 1/2" NPT (NG) OR 3/8" ODF (LP)