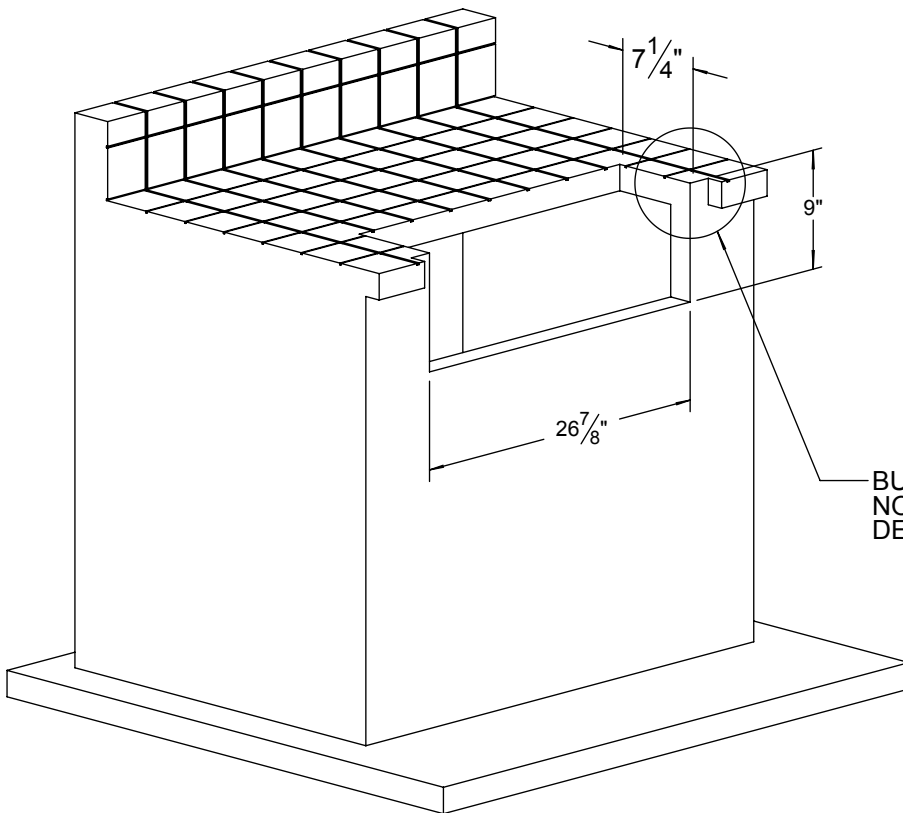
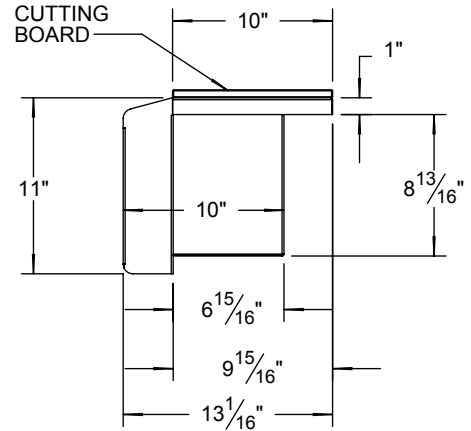
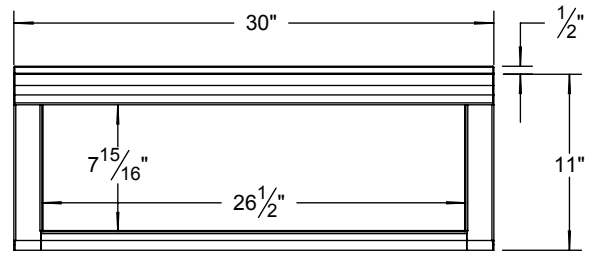
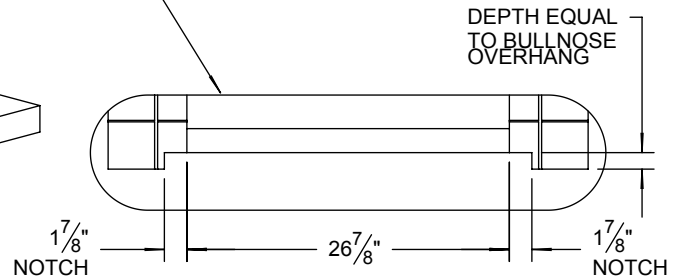


APS TYPICAL INSTALLATION

COUNTERTOP CUTOUT REQUIREMENTS



BULLNOSE NOTCH DETAIL



CUTTING BOARD (INCLUDED)

