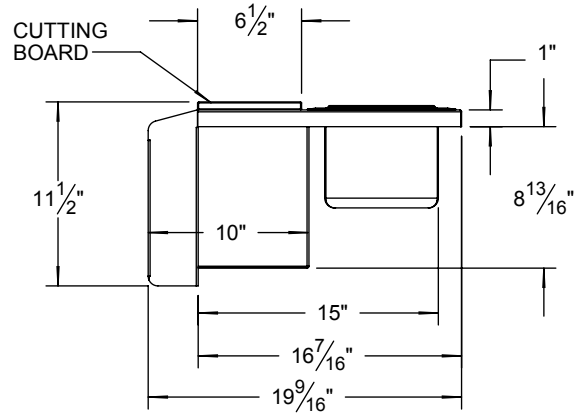
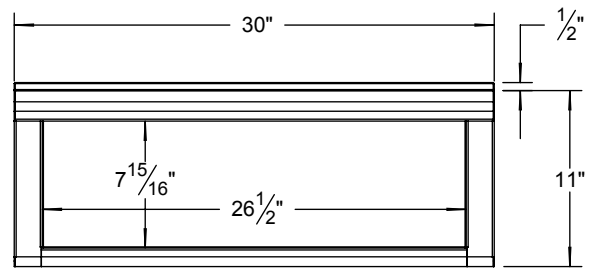
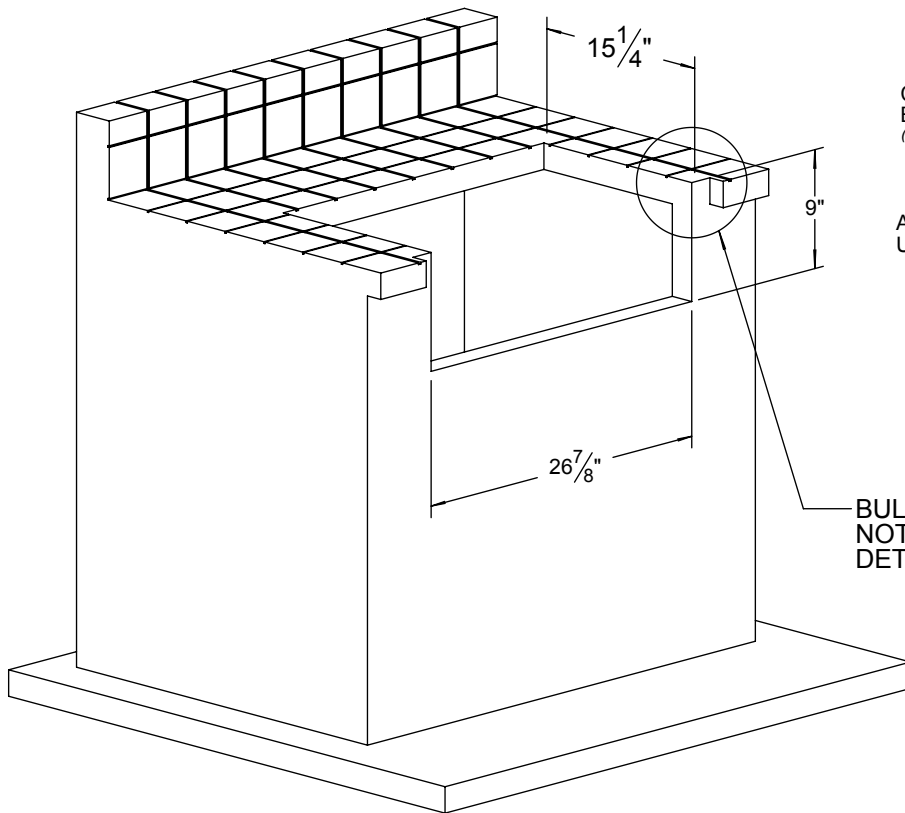


APS-30P UNIT

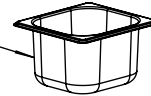
APS-30P TYPICAL INSTALLATION



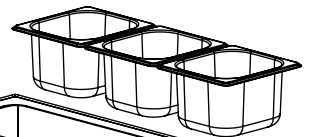
COUNTERTOP CUTOUT REQUIREMENTS



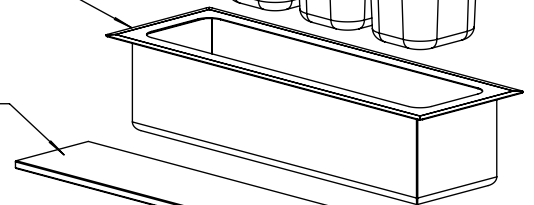
(4) 1/6 x 4" DEEP FOOD PANS (INCLUDED)



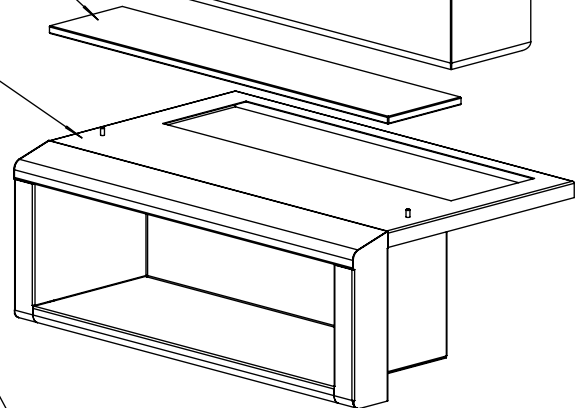
REMOVABLE FOOD WELL (INCLUDED)



CUTTING BOARD (INCLUDED)



APS-30P UNIT



BULLNOSE NOTCH DETAIL

DEPTH EQUAL TO BULLNOSE OVERHANG

