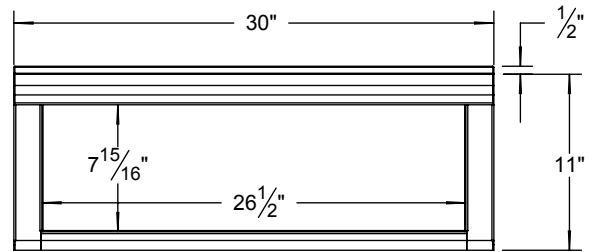
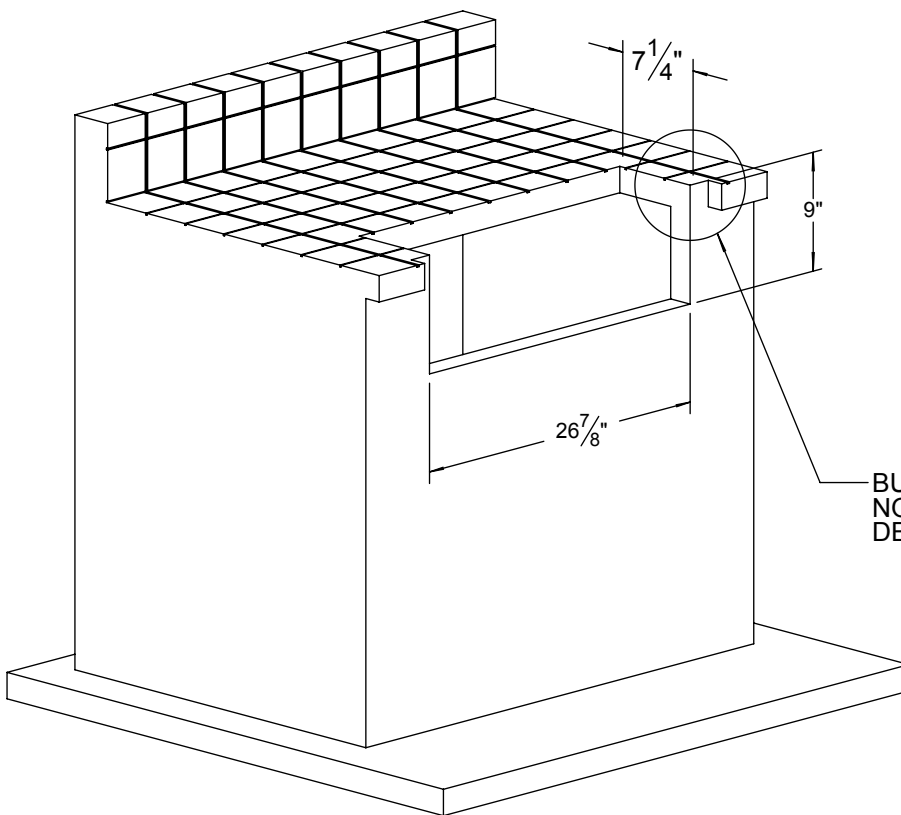
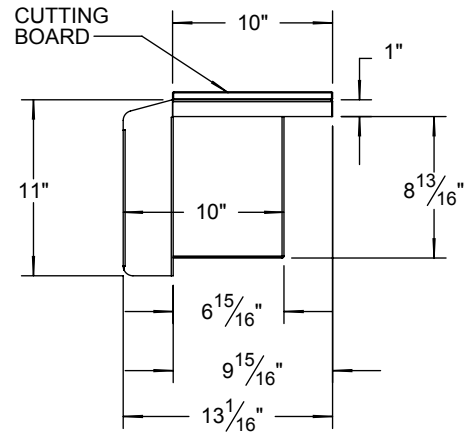


APS-30 UNIT

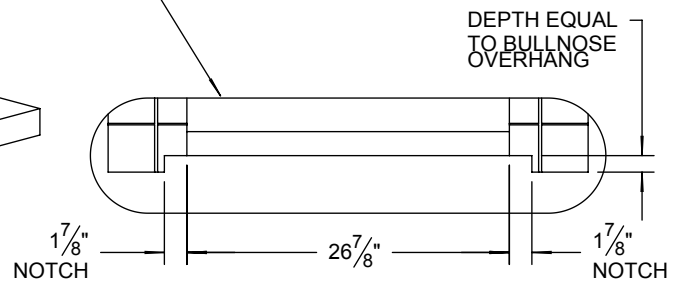
APS-30 TYPICAL INSTALLATION



COUNTERTOP CUTOUT REQUIREMENTS



BULLNOSE NOTCH DETAIL



CUTTING BOARD (INCLUDED)

