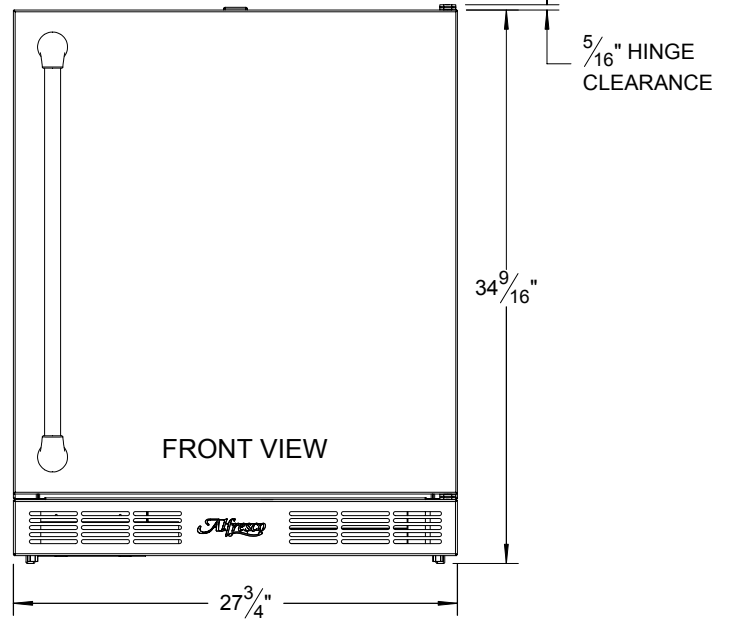
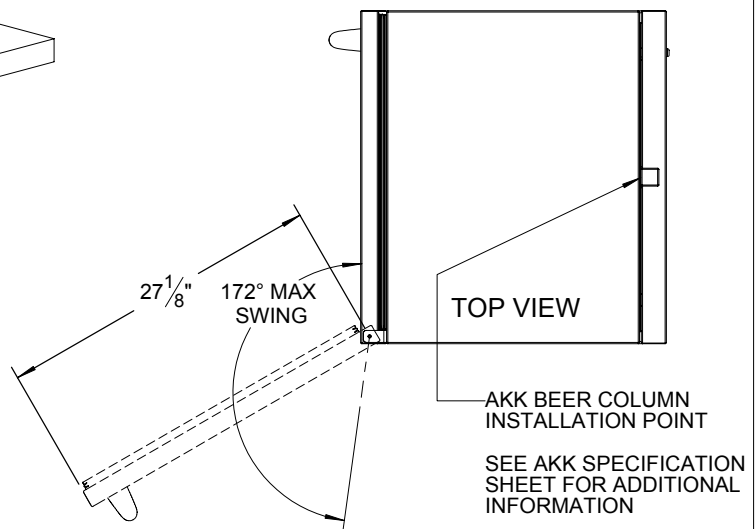
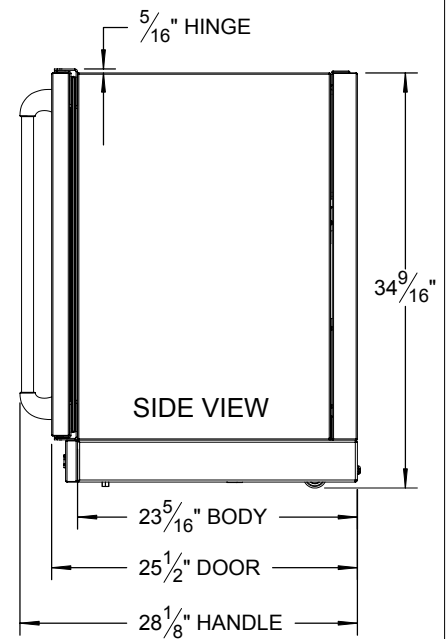
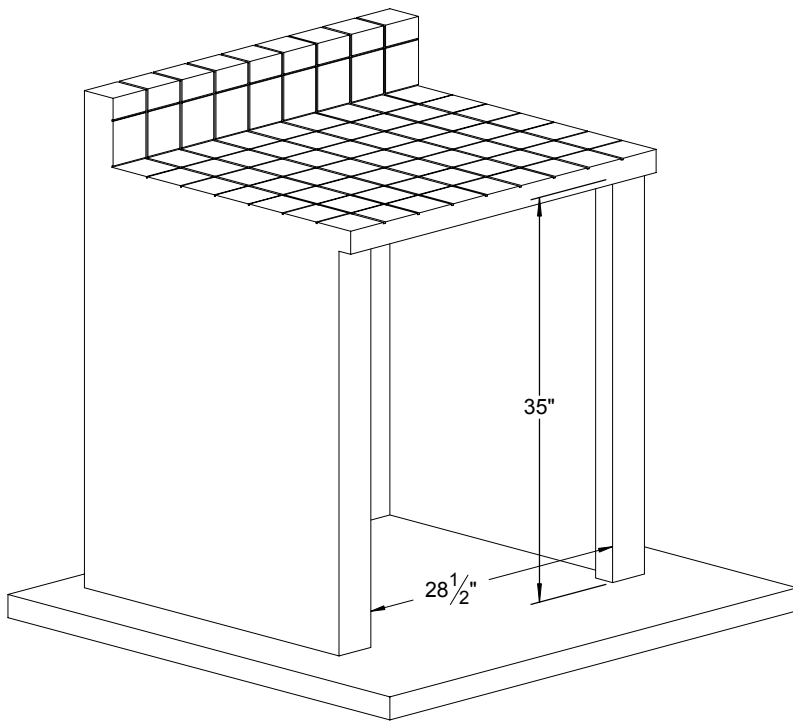


URS-1 TYPICAL INSTALLATION



COUNTER FRONT CUTOUT REQUIREMENTS



SPECIFICATIONS:
 R-134a REFRIGERANT
 115 VAC - 1 Ø - 3W - 2.57 AMPS
 1.3 RLA - 7.1 LRA - 2.9 MCA
 MOCPS 15 AMPS

GROUNDING RECEPTACLE REQUIRED
GFCI RECOMMENDED