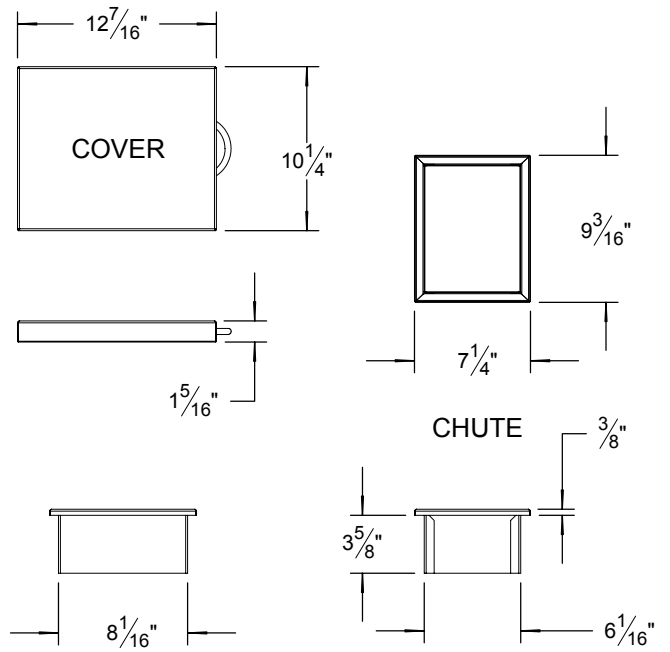


PWC - COMPLETE ASSEMBLY

**PWC
PREP / WASTE CHUTE**



COUNTERTOP CUTOUT REQUIREMENTS

