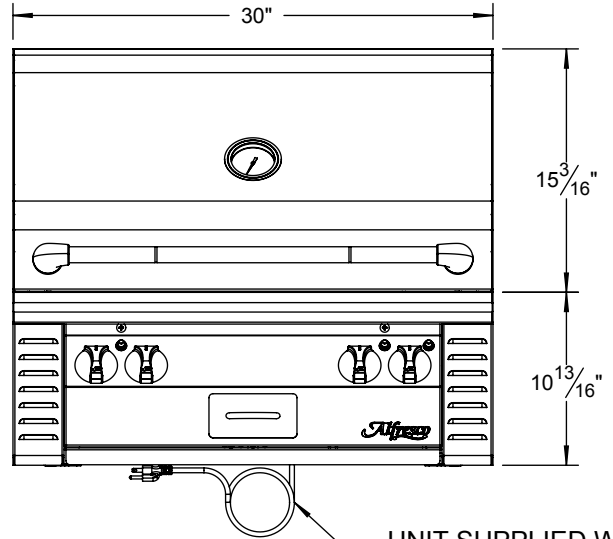
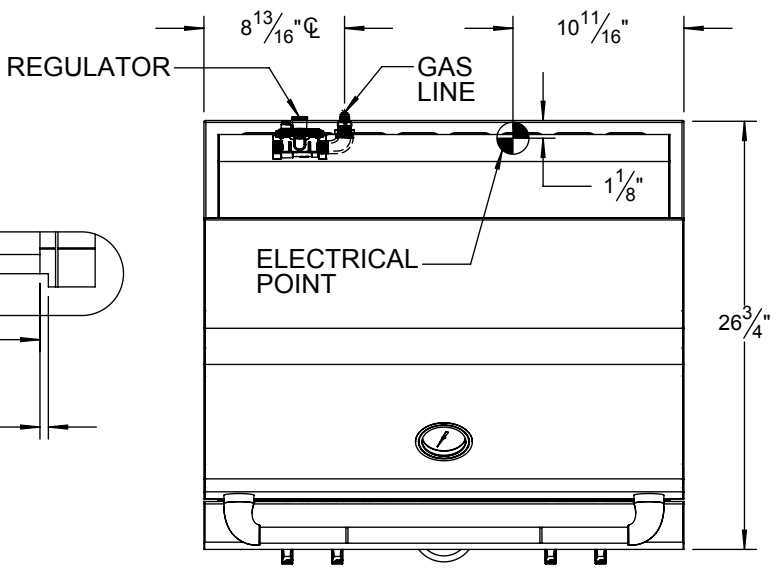
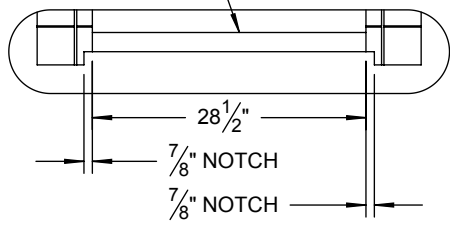
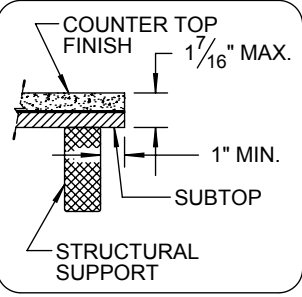
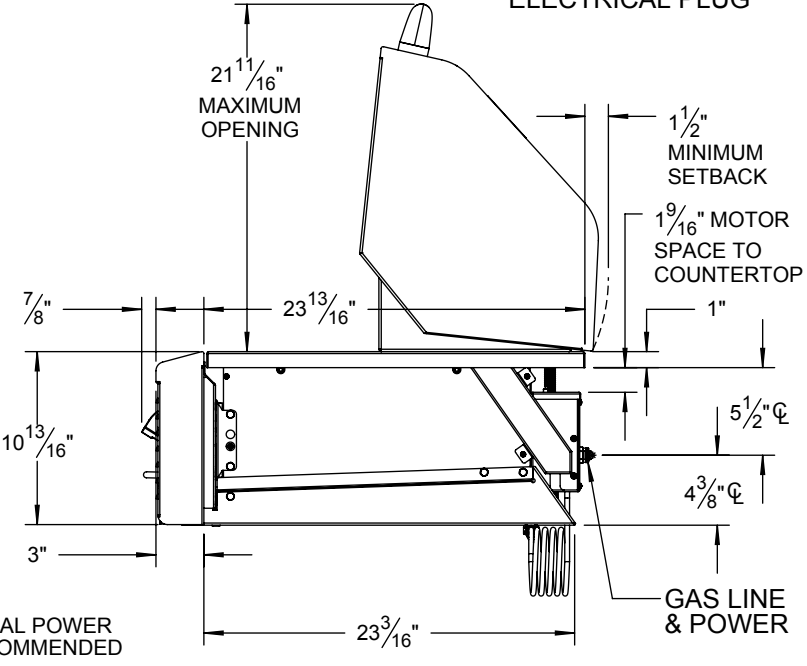
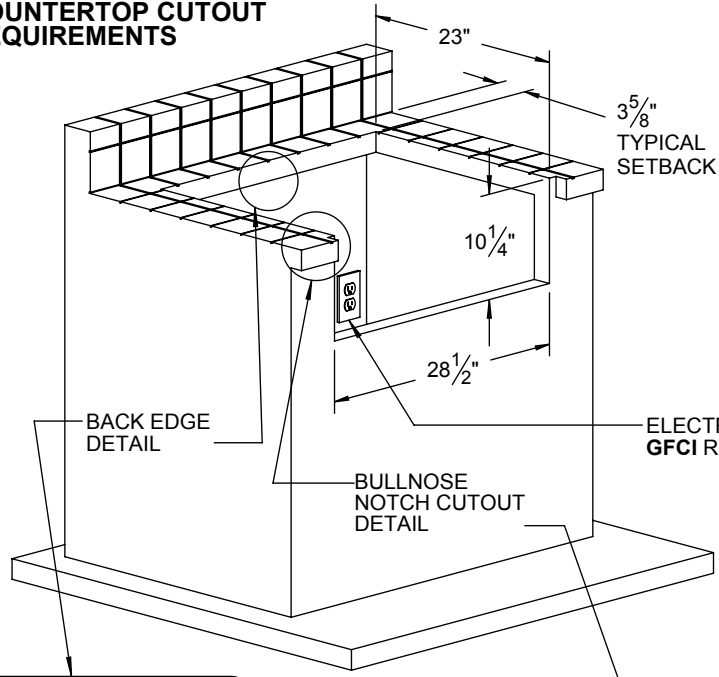


TYPICAL ALX2-30 / 30SZ INSTALLATION



UNIT SUPPLIED WITH
8 FT. NEMA 5-15
ELECTRICAL PLUG

COUNTERTOP CUTOUT
REQUIREMENTS



SPECIFICATIONS:

BTUH = 77,000
 FUEL = NG @ 5 W.C. OR LP @ 10 W.C.
 ELECTRICAL POWER = 115 VAC / 1.44 AMPS / 60 Hz.
 GAS CONNECTION = 1/2" NPT (NG) OR 3/8" ODF (LP)

NOTE: COUNTER MUST HAVE PROPER GAS SUPPLY
AND POWER SUPPLY FOR YOUR ALFRESCO BBQ.