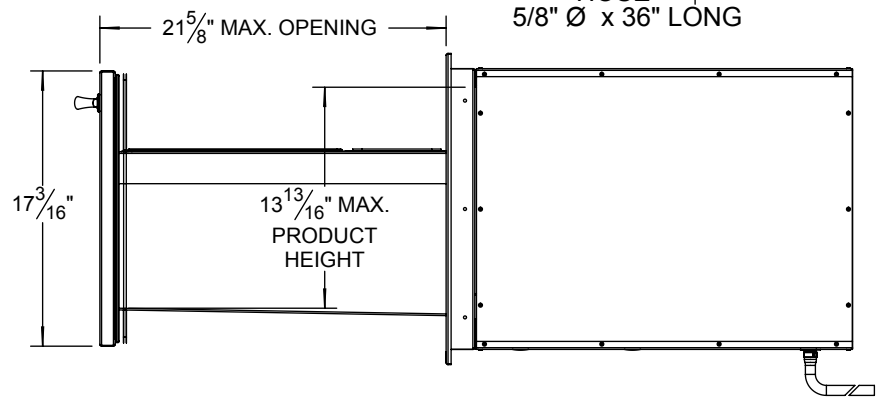
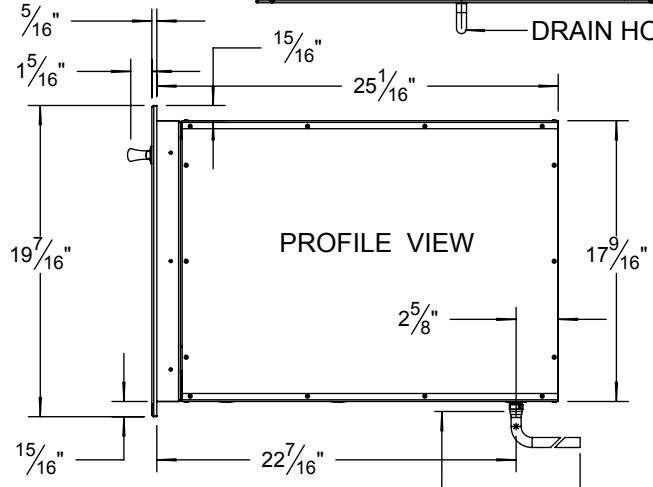
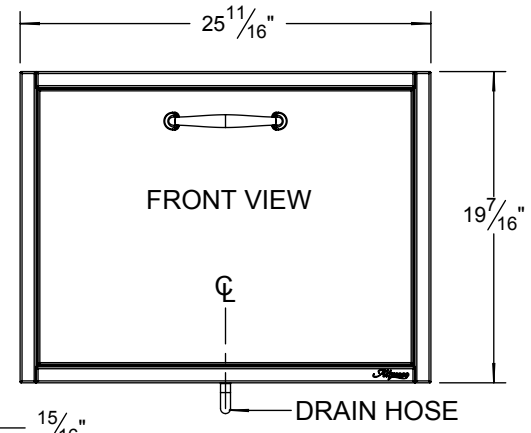
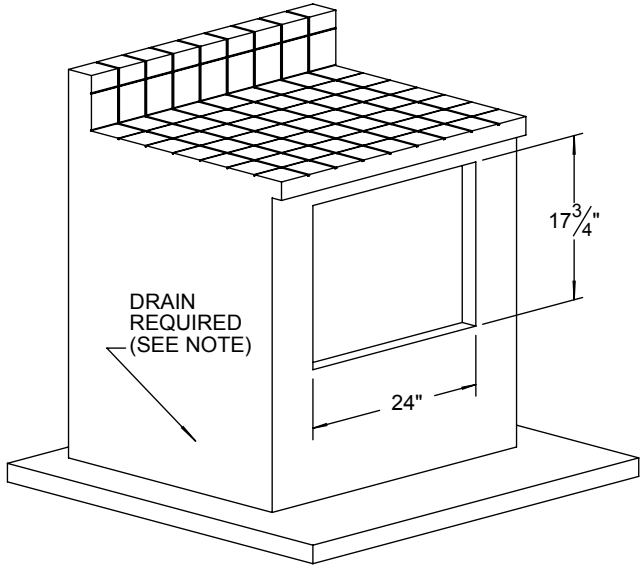
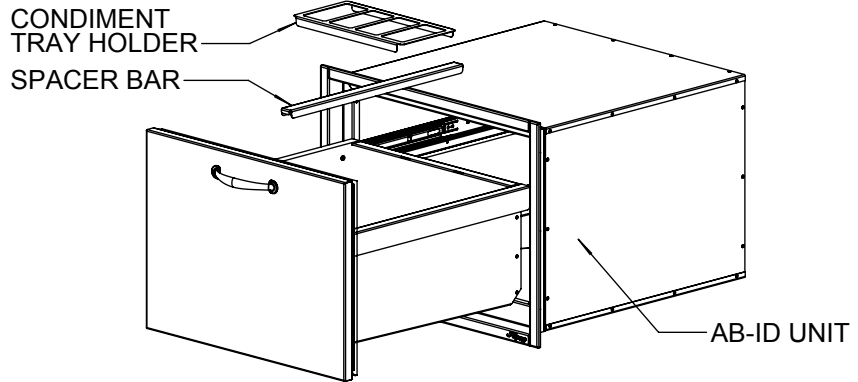
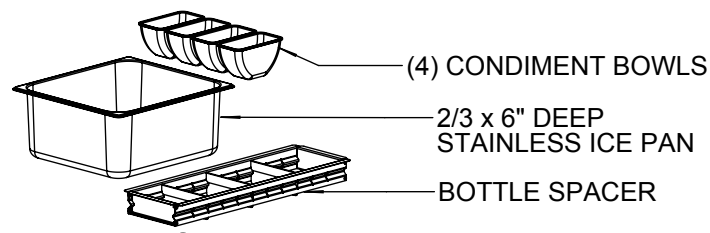


AB-ID - ICE DRAWER TYPICAL INSTALLATION

COUNTER FRONT CUTOUT REQUIREMENTS



INCLUDED ACCESSORIES



- NOTE:**
- PROPER DRAINING IS REQUIRED FOR THIS UNIT.
 - CONDENSATION AND WATER FROM MELTING ICE WILL CONTINUE TO FLOW FROM THIS UNIT INTO THE DRAIN HOSE.
 - A MINIMUM DRAIN OF 1" Ø IS RECOMMENDED TO BE INSTALLED IN THE COUNTER.