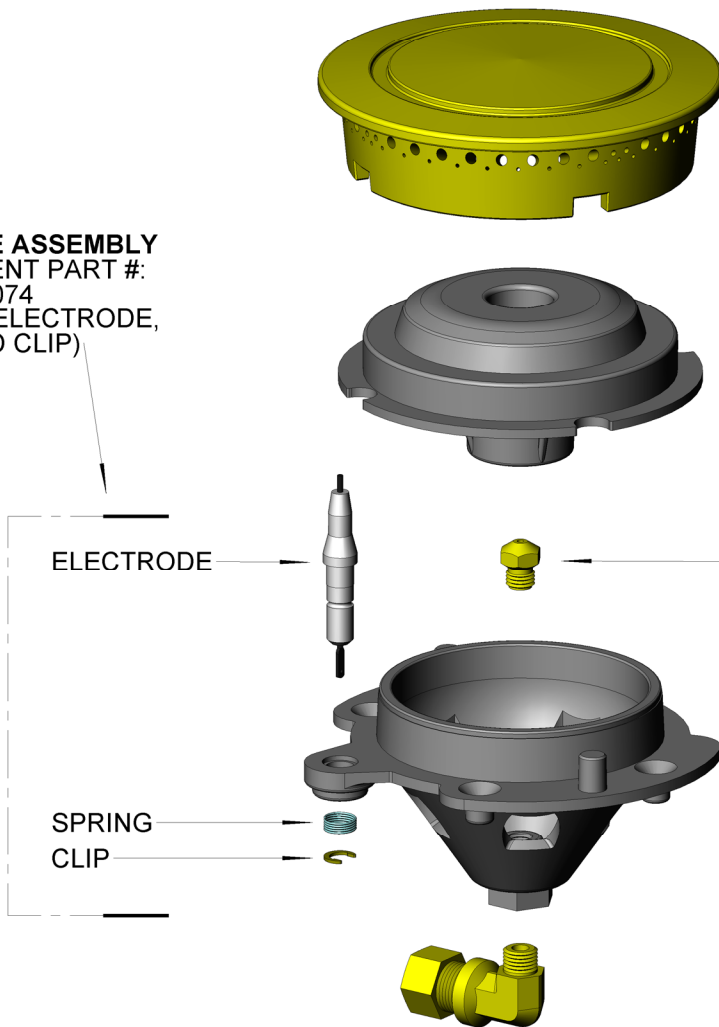


**NOTE:** SIDE BURNER ASSEMBLIES CAN BE ORDERED AS A WHOLE UNIT (KIT) FOR NATURAL GAS (NG) OR LIQUID PROPANE (LP). CAPS, ORIFICES AND ELECTRODES CAN BE INDIVIDUALLY REPLACED IF REQUIRED - SEE COMPONENT NUMBER BELOW.

**ELECTRODE ASSEMBLY**  
REPLACEMENT PART #:  
290-0074  
(INCLUDES ELECTRODE,  
SPRING AND CLIP)



**EXTERIOR CAP**  
(REPLACEMENT PART # 290-0072)

**INNER CAP**  
(KIT PART)

**ORIFICE**  
REPLACEMENT PARTS:  
NG # 220-0291  
LP # 220-0292

**VENTURI FUNNEL AND  
ELECTRODE ASSEMBLY**  
(KIT PARTS)

**ELBOW 90° FITTING**  
3/8"Ø COMP. X 1/8"ØMPT  
(KIT PART)

ELECTRODE

SPRING  
CLIP

**COMPLETE KITS:**

NATURAL GAS (NG) = 290-0070

LIQUID PROPANE (LP) = 290-0071