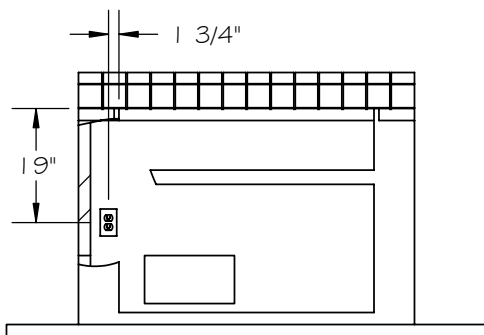
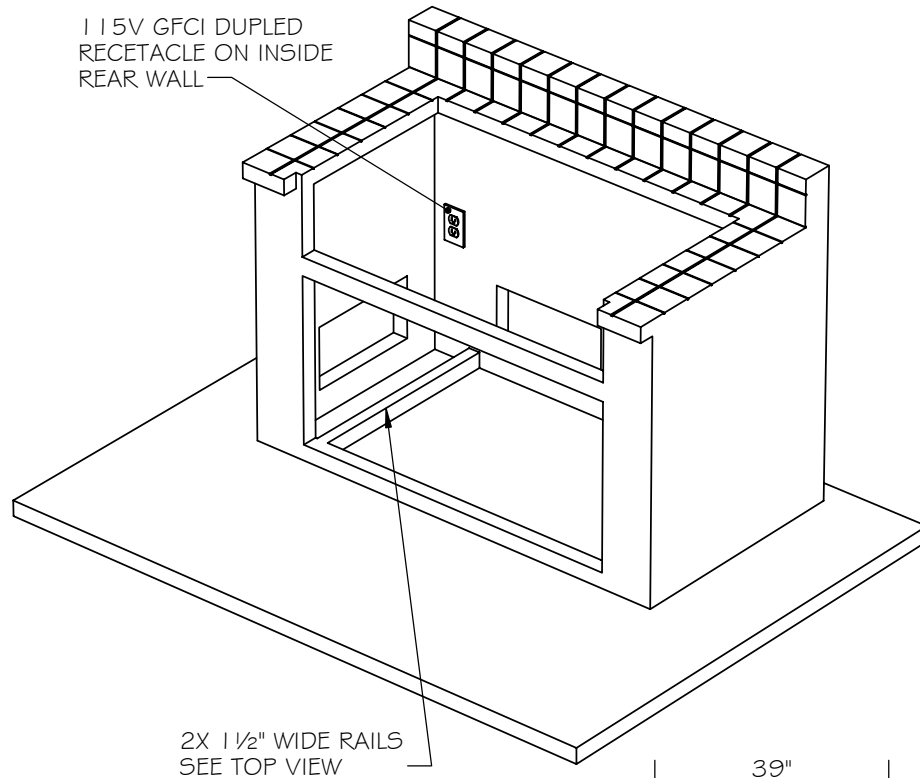
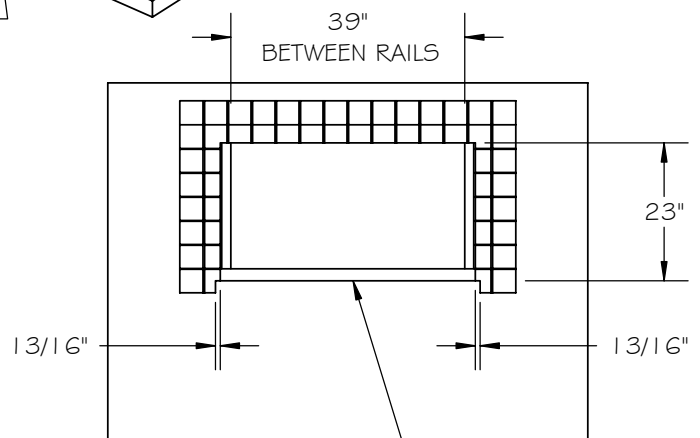


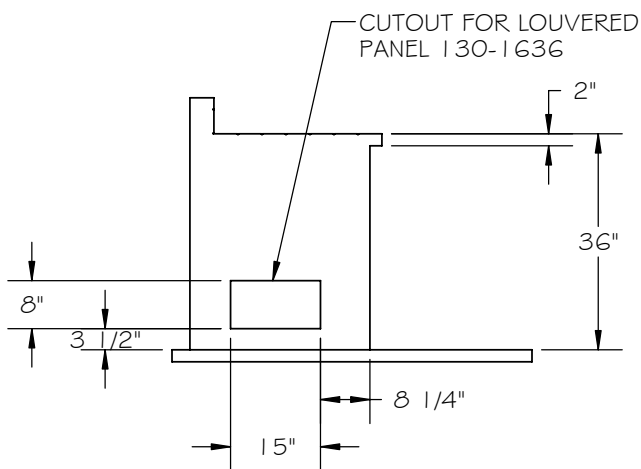
# Cutout Details for: ARFG-42 & AGBQ-42



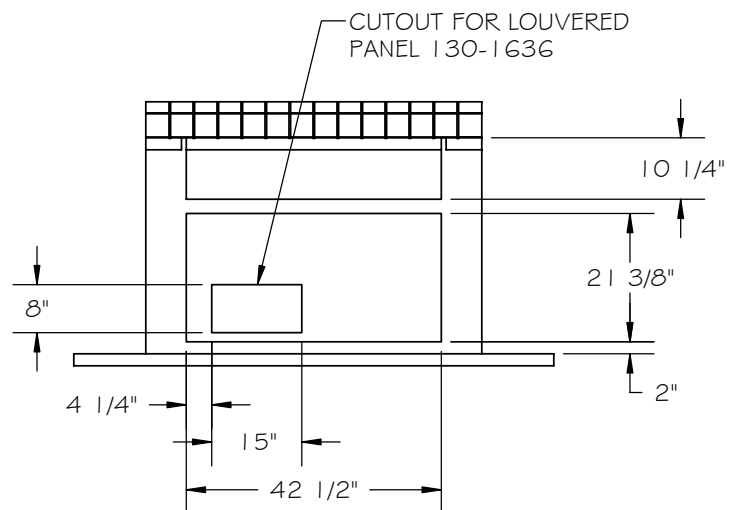
FRONT VIEW CUT AWAY TO SHOW RECEPTACLE



TOP CABINET FACE



LEFT END



FRONT VIEW



# ARFG-42 VENTILATION REQUIREMENTS

An adequate source of fresh air must be provided, along with adequate opening to exhaust hot air from the compressor and the island

NOTE: THIS DOCUMENT MUST BE PRINTED IN COLOR.

