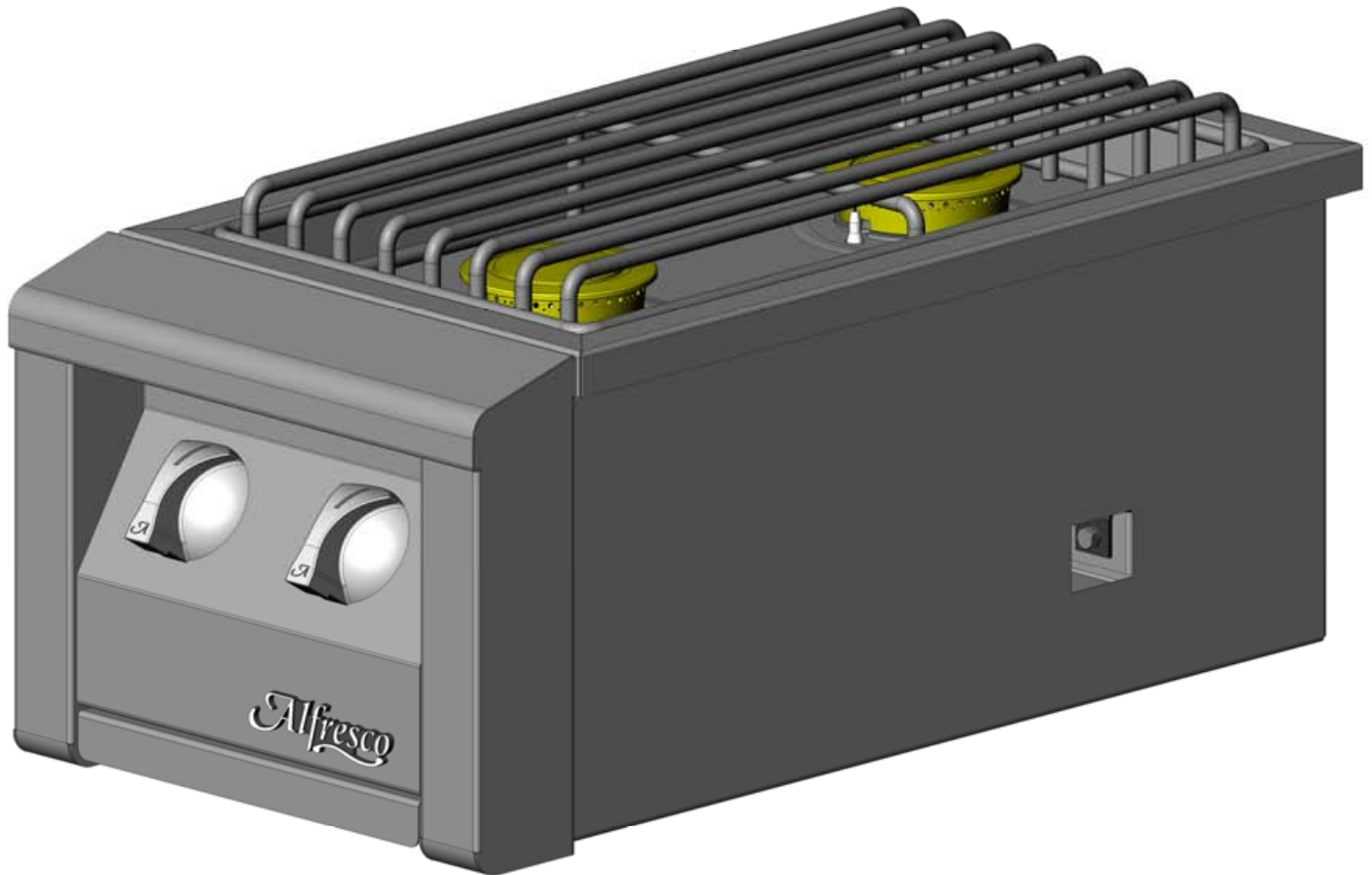


Alfresco™

Open Air Culinary Systems



AGSB-2

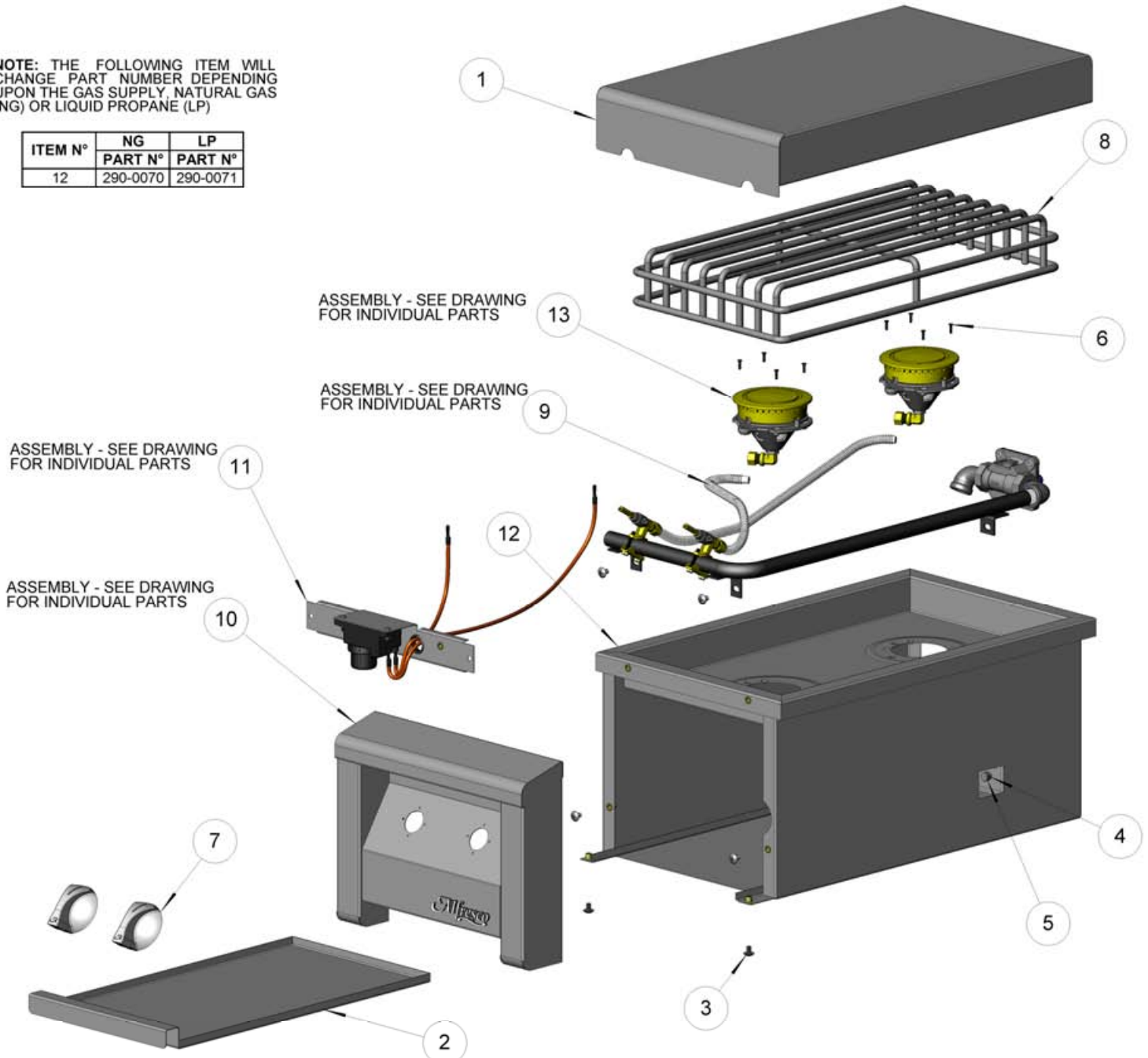
BUILT-IN DUAL SIDE BURNER UNIT

BILL OF MATERIAL

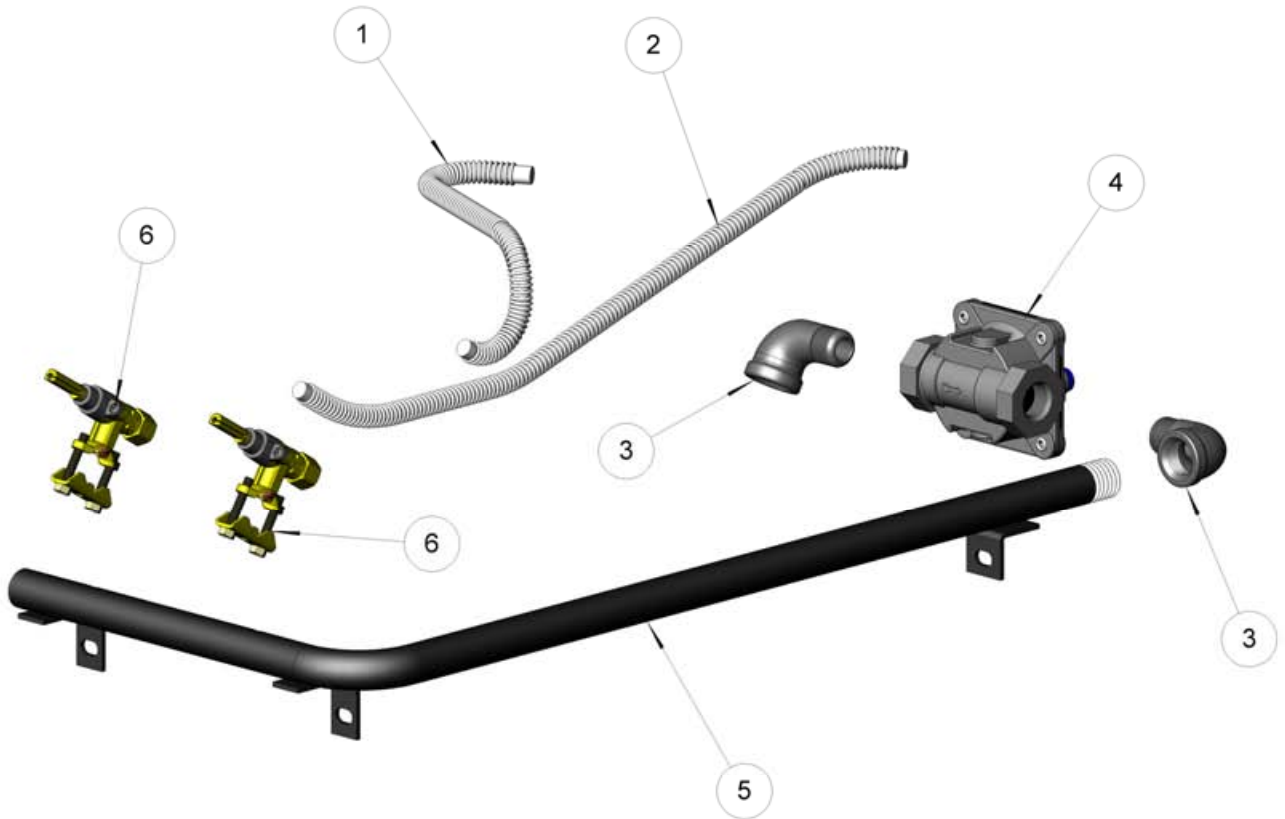
NO.	PART NUMBER	DESCRIPTION	Default/ QTY.
1	100-0949	WEATHER COVER	1
2	130-1139	DRIP TRAY	1
3	200-0086	1/4-20 X 3/8 - TRUSS HEAD - PHILIPS SCREW	6
4	200-0087	1/4" LOCK WASHER	1
5	200-0089	1/4-20 X 1/2 - HEX HEAD BOLT	1
6	200-0098	SCREW 6-32 X 1/2" - FLAT HEAD 82° - PHILIPS	8
7	290-0030	KNOB BBQ - ALFRESCO "A" LETTER	2
8	290-0069	GRATE - DUAL SIDE BURNER	1
9	510-0053	DUAL SIDE BURNER - GAS MANIFOLD ASSY.	1
10	510-0055	DUAL SIDE BURNER - FRONT ASSEMBLY	1
11	510-0056	DUAL SIDE BURNER - IGNITER ASSEMBLY	1
12	510-0057	DUAL SIDE BURNER - FIRE BOX - WELDED PARTS	1
13	SEE NOTE	SIDE BURNER ASSEMBLY >>> SEE NOTE	2

NOTE: THE FOLLOWING ITEM WILL CHANGE PART NUMBER DEPENDING UPON THE GAS SUPPLY, NATURAL GAS (NG) OR LIQUID PROPANE (LP)

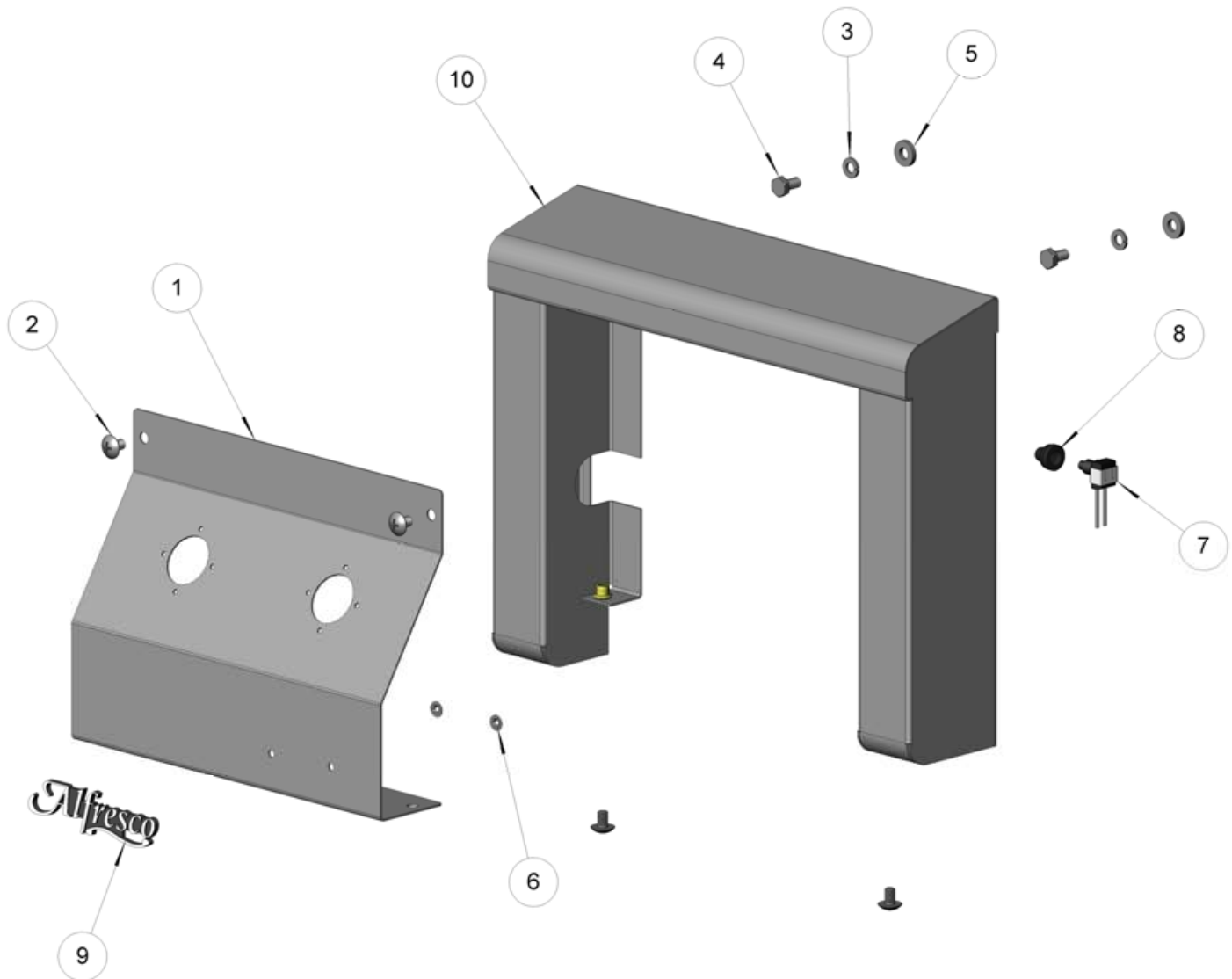
ITEM N°	NG	LP
	PART N°	PART N°
12	290-0070	290-0071



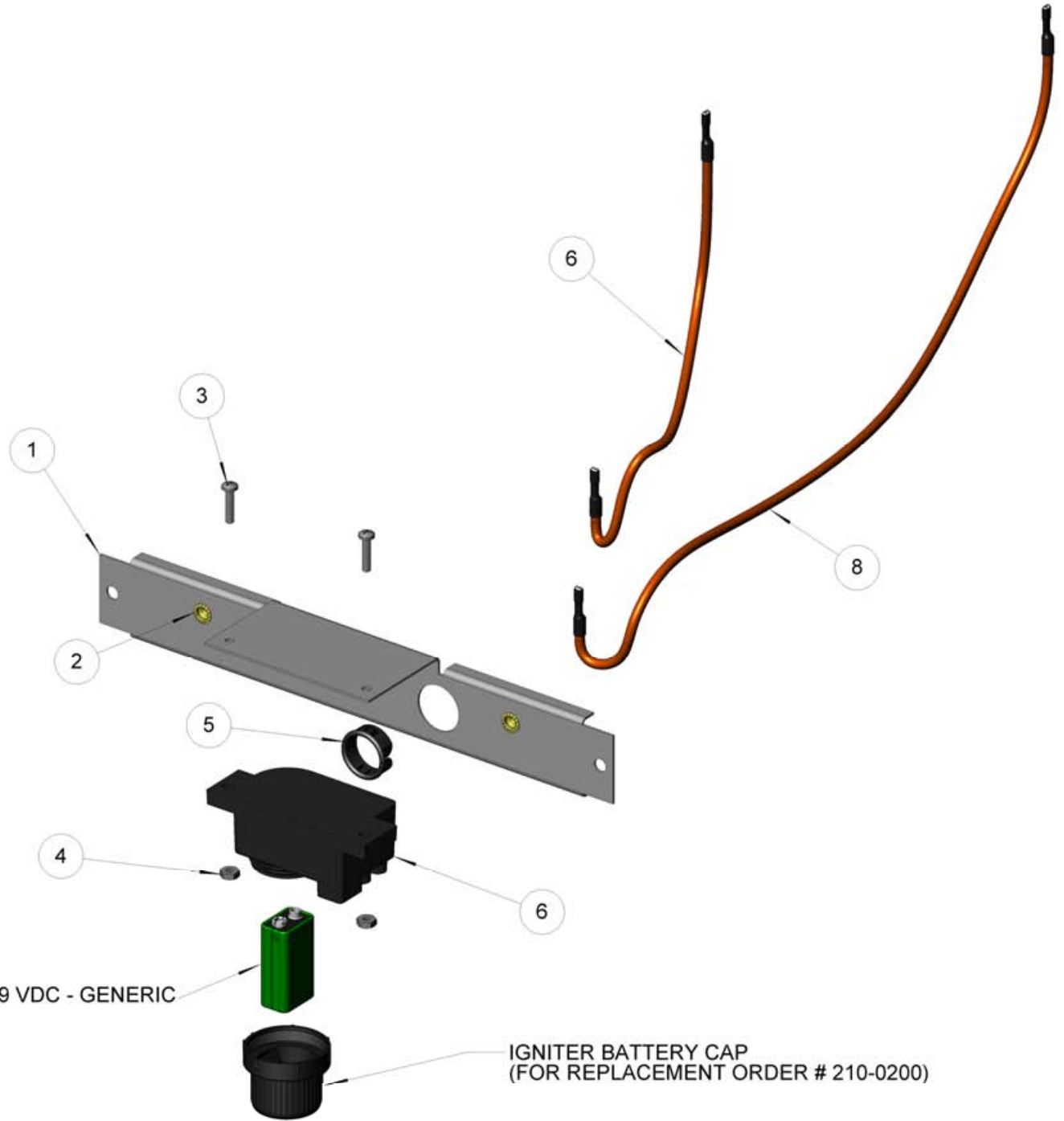
BILL OF MATERIAL			
NO.	PART NUMBER	DESCRIPTION	QTY.
1	100-0917	GAS LINE - 8"L X 3/8"Ø FLEX TUBE	1
2	100-0941	GAS LINE - 24"L x 3/8" Ø - SS. FLEX TUBE	1
3	200-0274	ELBOW 90° - CAST IRON - 1/2" FPT x 1/2" MPT	2
4	220-0280	REGULATOR GAS - MAXITROL RV48CL440002	1
5	220-0298	MANIFOLD - SIDE BURNER - DUAL VALVE	1
6	290-0042	GAS VALVE - SIDE BURNER - WITH INTERNAL ORIFICE	2



BILL OF MATERIAL			
NO.	PART NUMBER	DESCRIPTION	QTY.
1	100-0938	DUAL SIDE BURNER FRONT PANEL	1
2	200-0086	1/4-20 X 3/8 - TRUSS HEAD - PHILIPS SCREW	4
3	200-0087	1/4" LOCK WASHER	2
4	200-0089	1/4-20 X 1/2 - HEX HEAD BOLT	2
5	200-0092	1/4 X 1/8 X 5/8 FLAT WASHER - SPACER	2
6	200-0093	WASHER - PUSH LOCK 1/8" ID X 3/8" OD (FOR LOGO)	2
7	210-0197	SWITCH - MOMENTARY	1
8	210-0198	SWITCH - WEATHER BOOT FOR 210-0197	1
9	290-0031	LOGO - ALFRESCO	1
10	510-0052	SIDE BURNER FRONT - WELDED PARTS	1



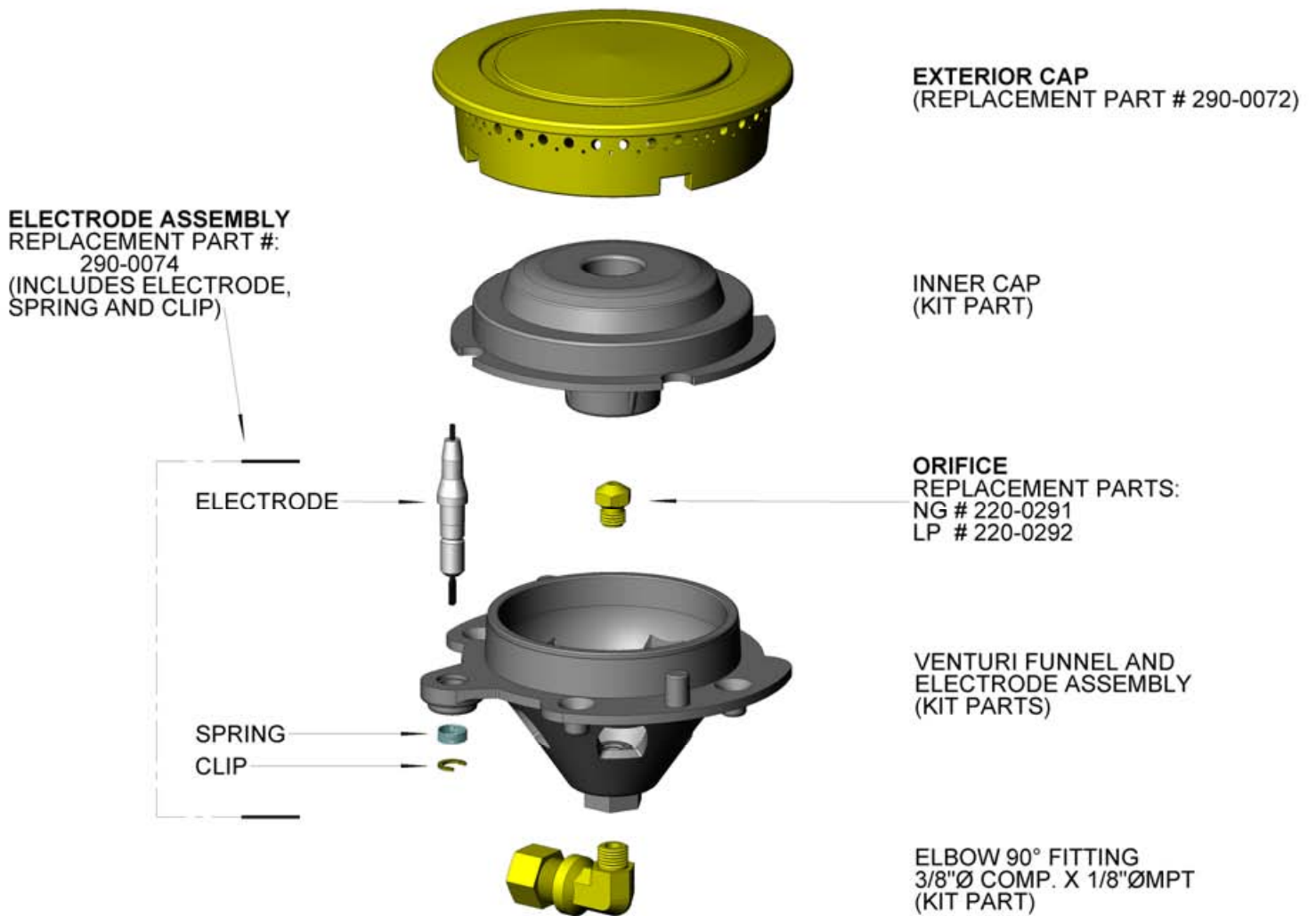
BILL OF MATERIAL			
NO.	PART NUMBER	DESCRIPTION	QTY.
1	100-0939	MANIFOLD / IGNITER BRACKET	1
2	200-0071	RIVNUT - 1/4 x 20 - OPEN END - (SHOWN PRESSED)	2
3	200-0079	8-32 X 3/4 - PAN HEAD - PHILIPS SCREW	2
4	200-0080	8-32 - DOUBLE CHAMFER - HEX NUT	2
5	200-0081	BUSHING HEYCO OCB-1000 - PART # 2878	1
6	210-0195	IGNITER MODULE - 2 POINTS (WITH CAP)	1
7	210-0210	SIDE BURNER IGNITER WIRE - 9"L X (2) 1/8" F.SPADE	1
8	210-0216	SIDE BURNER IGNITER WIRE - 26"L X (2) 1/8" F.SPADE	1



BATTERY 9 VDC - GENERIC

IGNITER BATTERY CAP
(FOR REPLACEMENT ORDER # 210-0200)

NOTE: SIDE BURNER ASSEMBLIES CAN BE ORDERED AS A WHOLE UNIT (KIT) FOR NATURAL GAS (NG) OR LIQUID PROPANE (LP). CAPS, ORIFICES AND ELECTRODES CAN BE INDIVIDUALLY REPLACED IF REQUIRED - SEE COMPONENT NUMBER BELOW.



COMPLETE KITS:

NATURAL GAS (NG) = 290-0070

LIQUID PROPANE (LP) = 290-0071