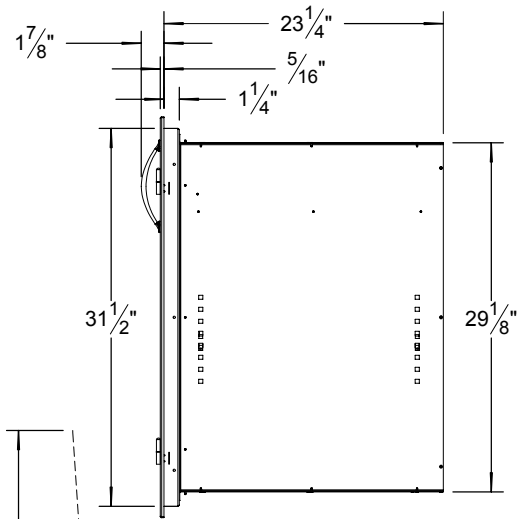
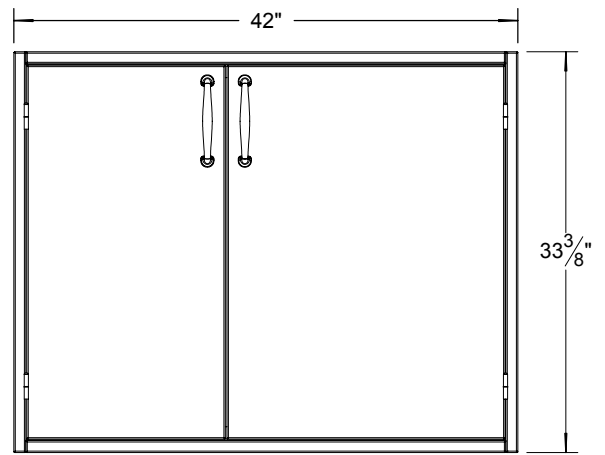


ADSP-42H TYPICAL INSTALLATION



COUNTER FRONT CUTOUT REQUIREMENTS

