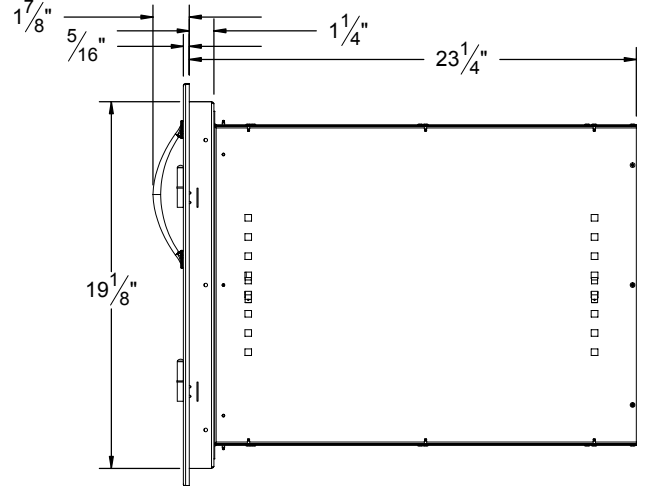
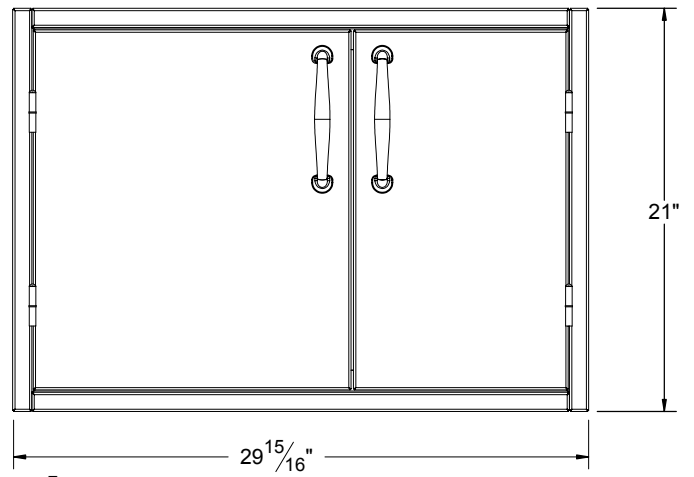


ADSP-30L
UNIT

ADSP-30L TYPICAL INSTALLATION



COUNTER FRONT CUTOUT REQUIREMENTS

