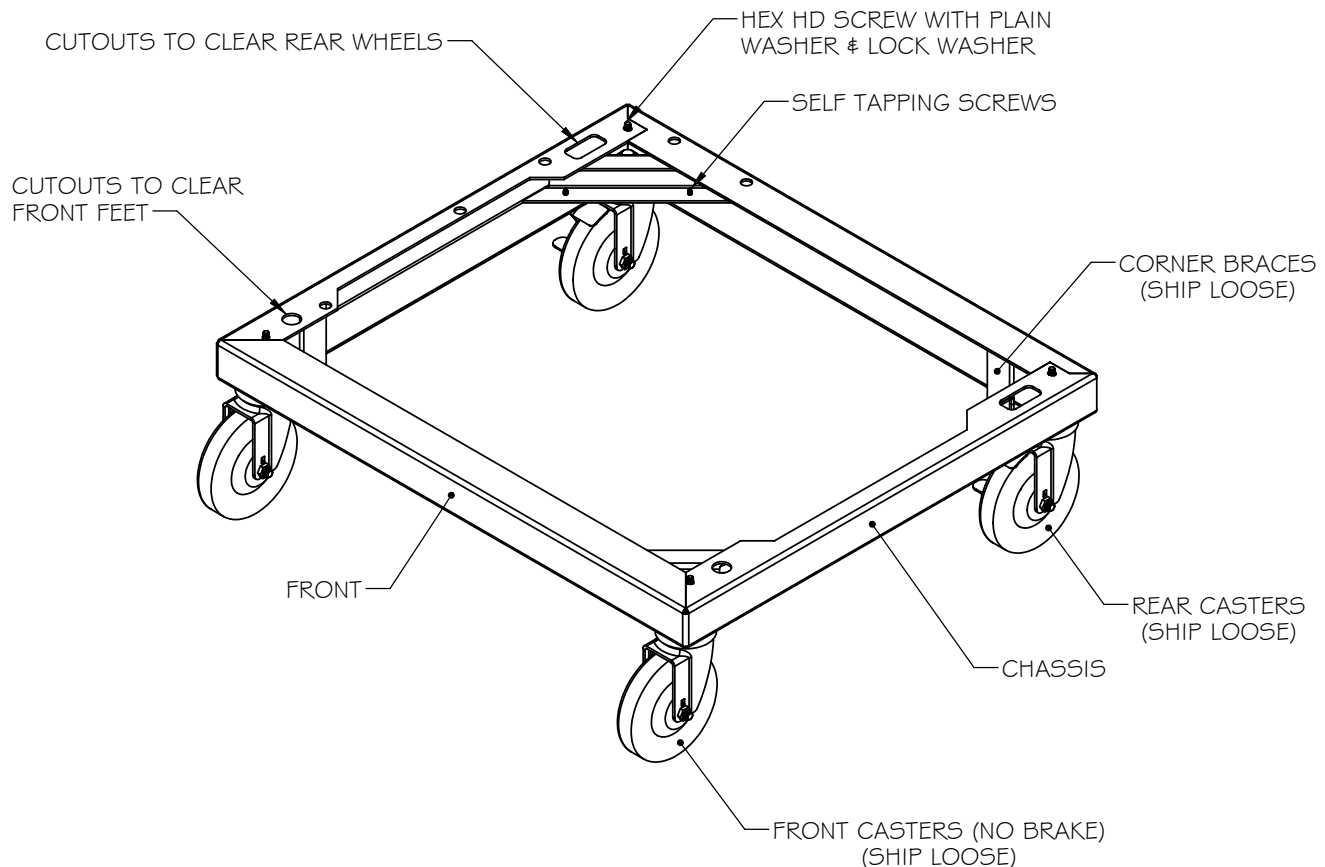


# ALFRESCO CASTER KIT (ACK)

**Alfresco**<sup>™</sup>  
Open Air Culinary Systems



## INSTALLING THE ACK ON THE URS-1:

**WARNING: DO NOT TIP THE URS-1 FOR ANY REASON, DOING SO WILL DAMAGE THE REFRIGERATION SYSTEM.**

THE KIT SHOULD INCLUDE THE FOLLOWING ITEMS:

CHASSIS (1), CORNER BRACES (4), CASTERS (2 WITH BRAKE & 2 WITHOUT BRAKE), 8-32 X 1/2 SELF TAPPING SCREWS (8), 1/4-20 X 1/2 HEX HD MACHINE SCREWS (4), 1/4 FLAT WASHERS (4) 1/4 HELICAL SPRING LOCK WASHERS (4) AND THIS INSTRUCTION SHEET.

TO INSTALL THE ACK, FIRST SET THE CHASSIS ON BLOCKS OR SAW HORSES TO ELEVATE IT AT LEAST 1 2" ABOVE THE FLOOR.

NEXT, CAREFULLY PLACE THE URS-1 ON TOP OF THE CHASSIS (NOTE THE FRONT POSITION) WITH THE WHEELS DOWN INTO THE SLOTS PROVIDED, AND THE FRONT FEET DOWN INTO THE HOLES PROVIDED.

THE CHASSIS CAN NOW BE ATTACHED TO THE URS-1 USING THE HEX HD MACHINE SCREWS, PLAIN WASHERS AND LOCK WASHERS (NOTE THE LOCK WASHER GOES AGAINST THE HEAD OF THE SCREW, AND THE PLAIN WASHER GOES AGAINST THE CHASSIS). **DO NOT WRENCH TIGHTEN ANY OF THE HEX HD MACHINE SCREWS UNTIL THEY ARE ALL IN PLACE AND HAND TIGHTENED, THEN TIGHTEN WITH A WRENCH.**

ONCE THE CHASSIS IS SECURELY ATTACHED TO THE URS-1, THE FOUR CORNER BRACES MUST BE INSTALLED AND SECURED TO THE CHASSIS USING THE SELF TAPPING SCREWS AND THE HOLES PROVIDED.

FINALLY, THE CASTERS CAN BE SCREWED INTO THE CHASSIS. THE CASTERS WITH BRAKES GO ON THE REAR. NOTE, IT IS VERY IMPORTANT THAT THE CASTERS BE SCREWED ALL THE WAY IN, SO THE SHOULDER IS TIGHTENED AGAINST THE UNDERSIDE OF THE CHASSIS.

THE ENTIRE UNIT MAY NOW BE LIFTED OFF THE BLOCKS OR SAW HORSES, AND LOWERED TO THE GROUND. THE INSTALLATION IS NOW COMPLETE.