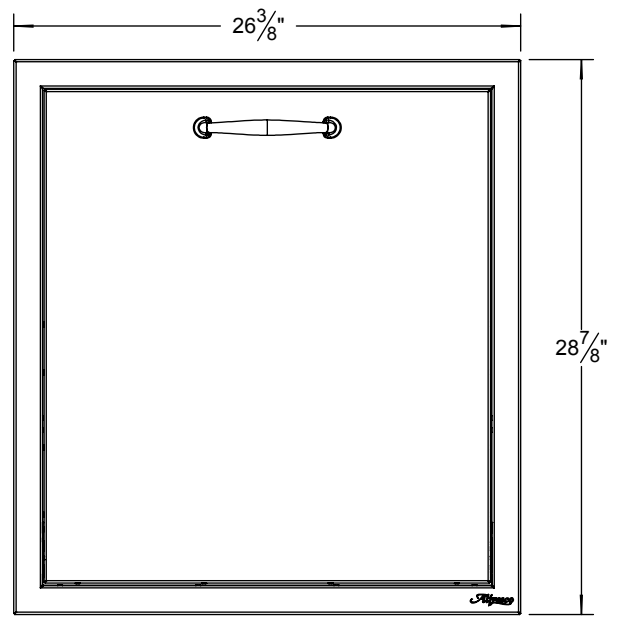
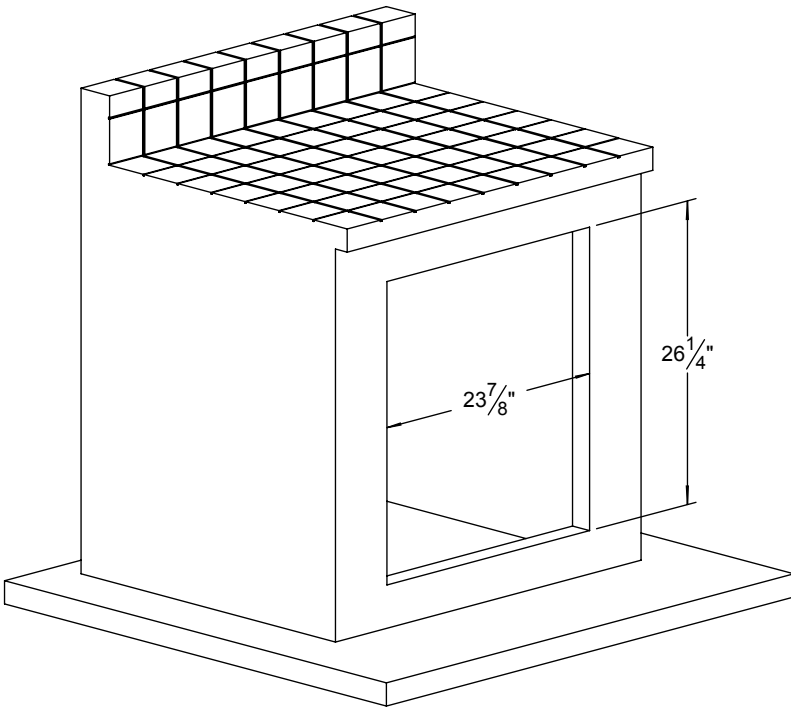


TYPICAL AB-TC2 INSTALLATION



COUNTER FRONT CUTOUT REQUIREMENTS



41 1/4 QT BLACK TRASH CAN (INCLUDED)  
 41 1/4 QT BLUE RECYCLING CAN (INCLUDED)

