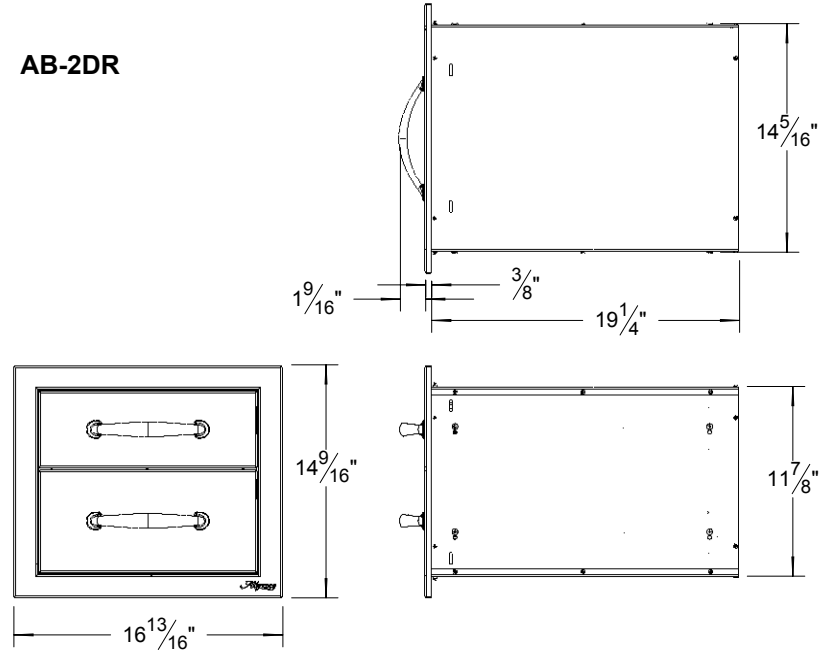
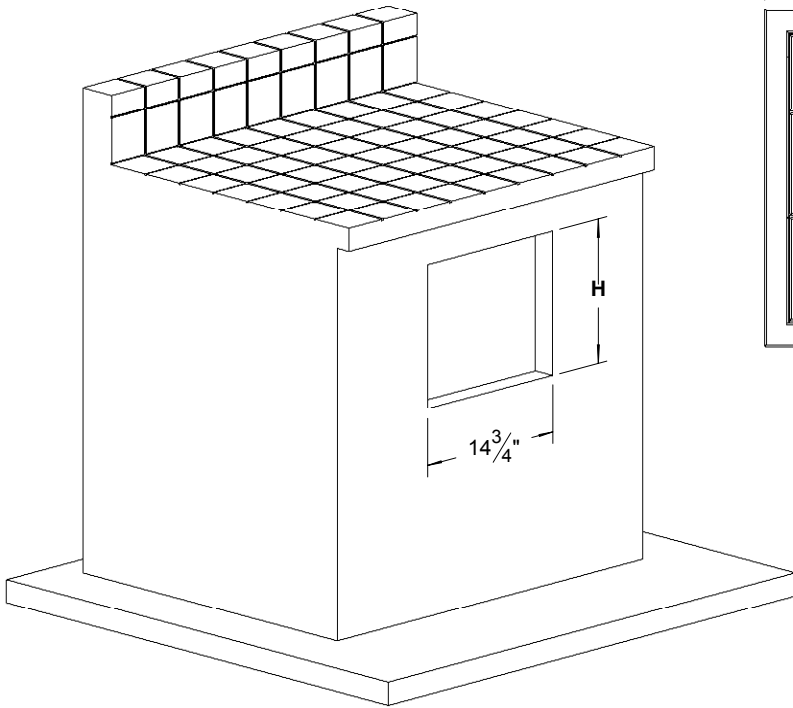


AB DRAWER - TYPICAL INSTALLATION (AB-2DR SHOWN)

AB-2DR



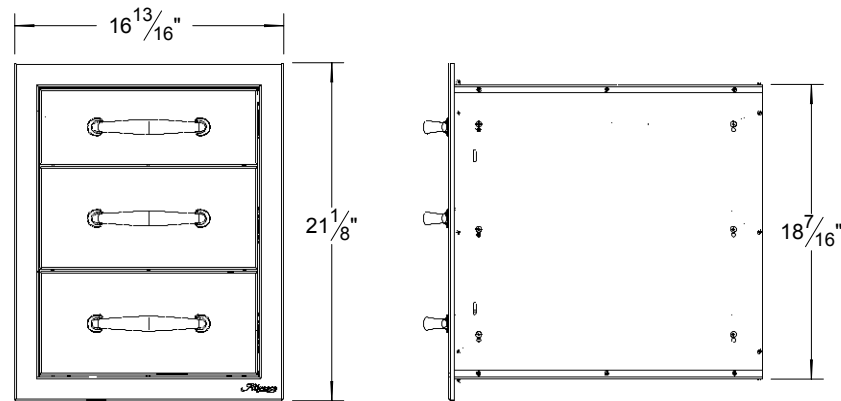
COUNTER FRONT CUTOUT REQUIREMENTS



CUTOUT HEIGHT DIMENSION (H):

- AB-2DR = 12-1/2"
- AB-3DR = 19-1/4"

AB-3DR



TYPICAL DRAWER EXTENSION BOTH MODELS:

