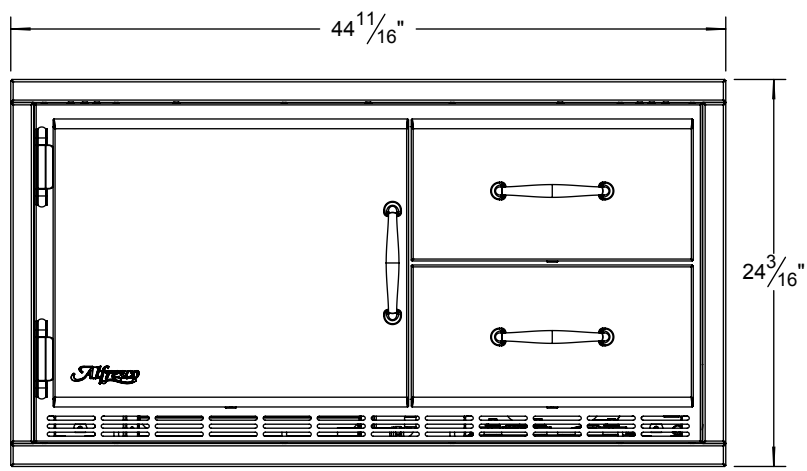
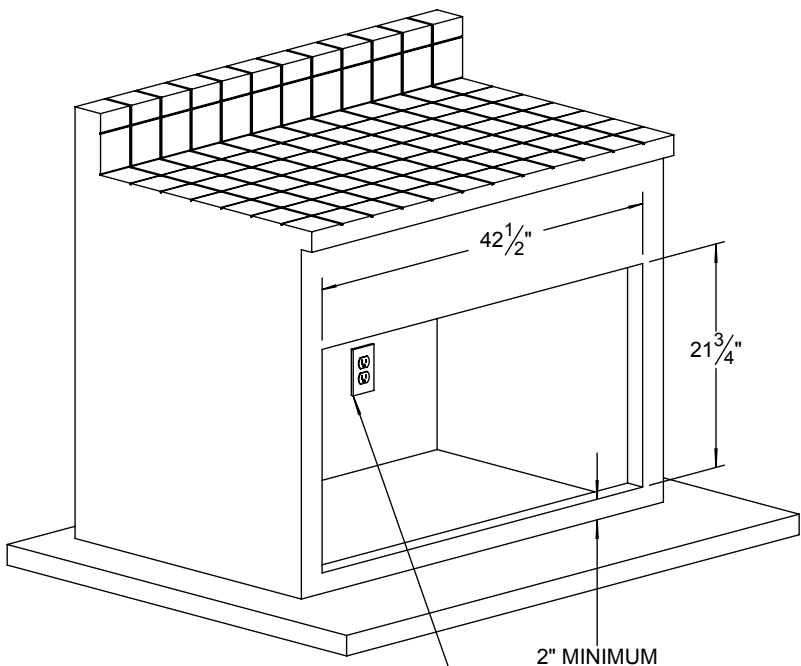
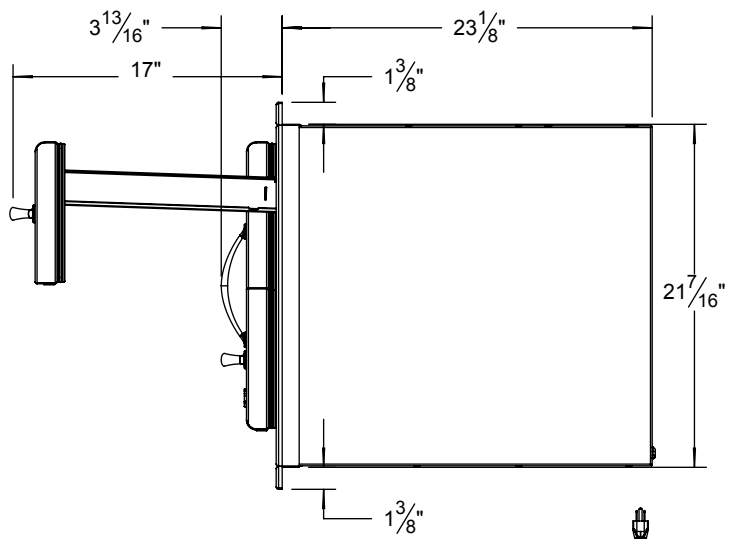


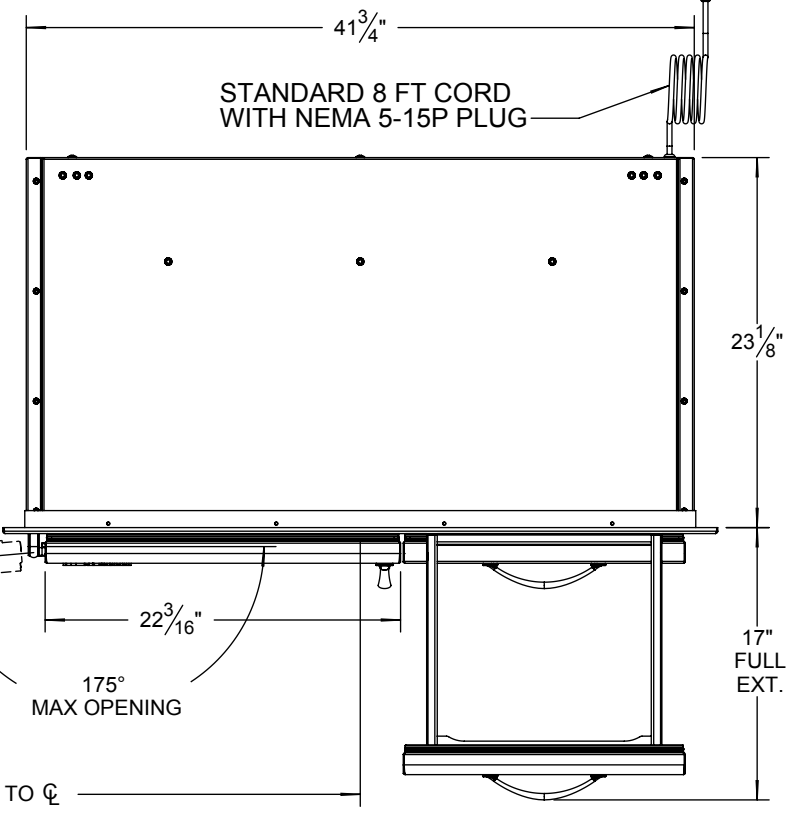
ARFG-42FB TYPICAL INSTALLATION



COUNTER FRONT CUTOUT REQUIREMENTS



GROUNDING OUTLET REQUIRED FOR PROPER OPERATION. (GFCI RECOMMENDED)



SPECIFICATIONS:
 R-134A REFRIGERANT
 115 VAC - 1Ø - 3W - 2.9 AMPS
 2.9 RLA - 8.6 LRA - 3.2 MCA
 MOC PD 15 AMPS